



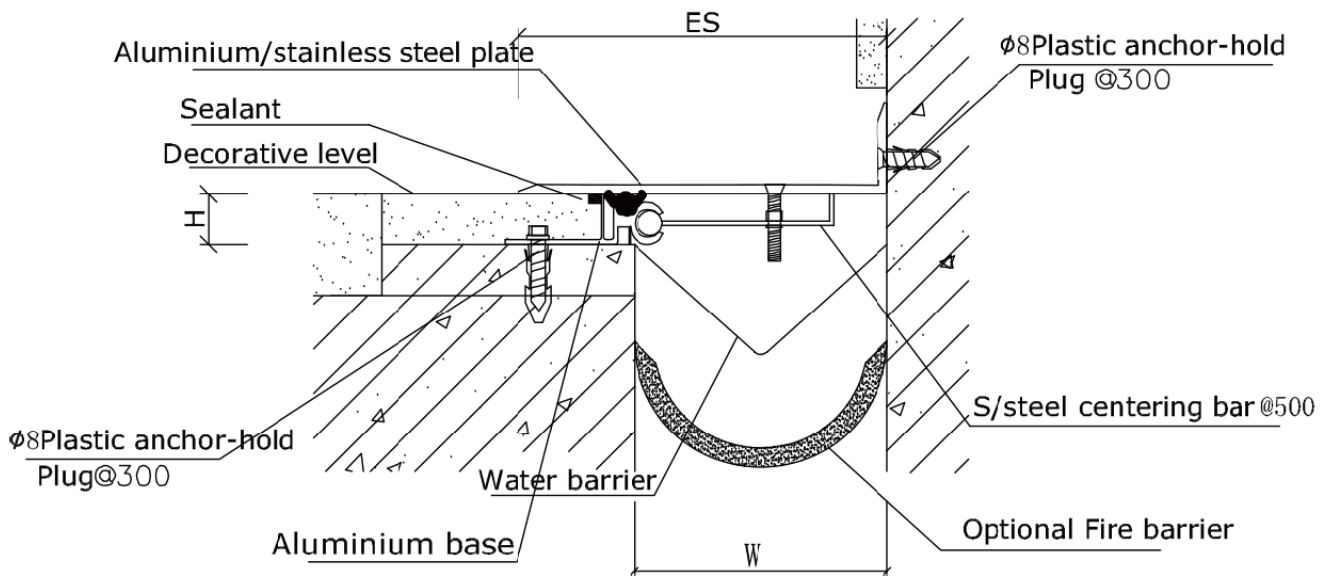
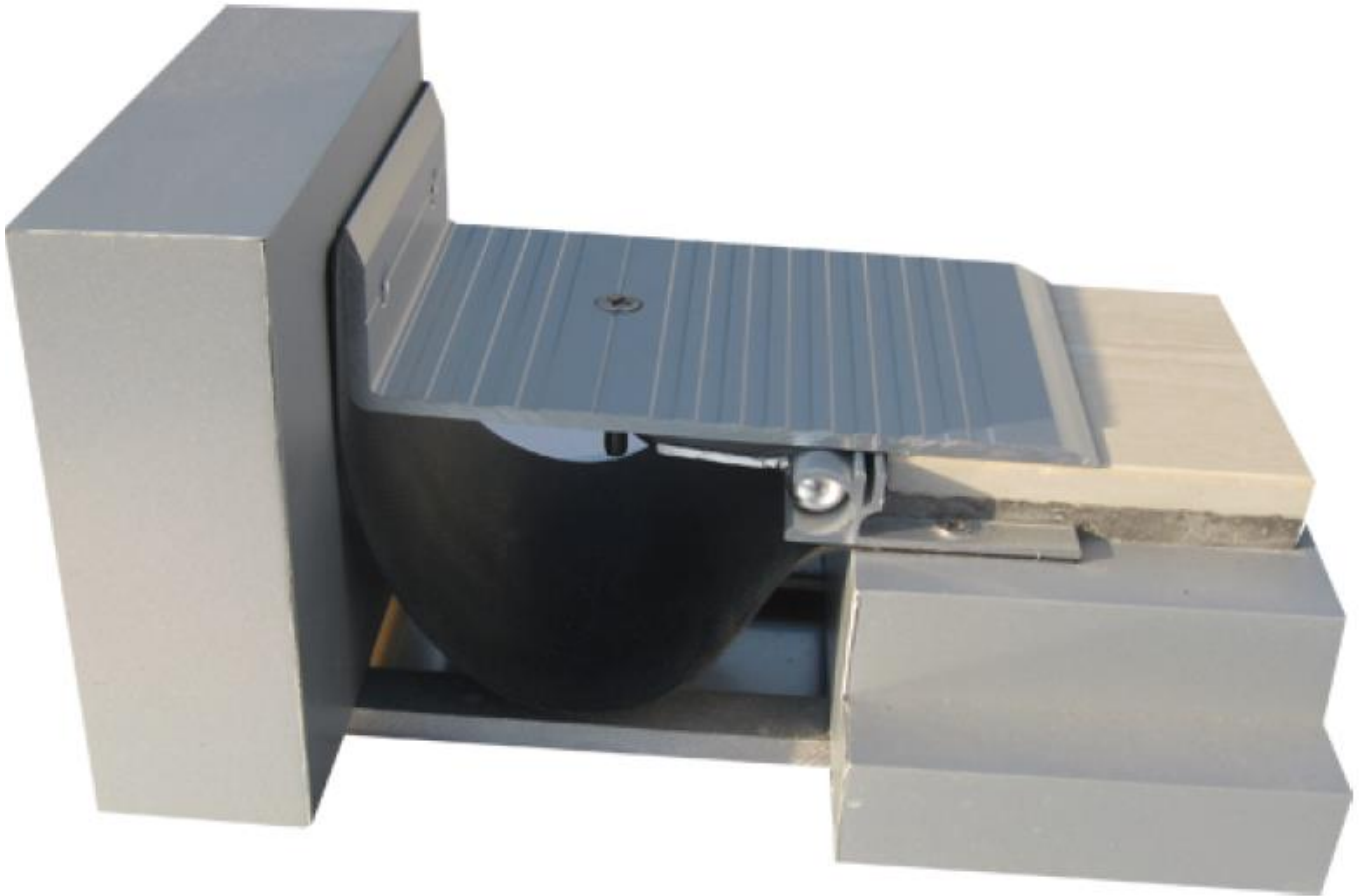
MEISHUO Building Materials CO.,Ltd

Office: No.2208, Huaqiao Square, Pukou district, Nanjing,China

Tel: 0086-025-58196288 Fax:0086-025-58196399

Website: www.msbxf.com E-mail:sariel@msbxf.com

MSD-QGJS EXPANSION JOINT SPEC DATA





MEISHUO Building Materials CO.,Ltd

Office: No.2208, Huaqiao Square, Pukou district, Nanjing,China

Tel: 0086-025-58196288 Fax:0086-025-58196399

Website: www.msbox.com E-mail:sariel@msbox.com

MSD-QGJS EXPANSION JOINT SPEC DATA

Product Description:

An architectural line of thermal, seismic, waterproof and fire rated expansion joint systems meeting the aesthetic and structural demands of airports, hospitals, shopping malls and other building types.

BASIC USES:

Application: Floor to Wall

Joint Width (W)	50	75	100	125	150	175
Exposed surface (ES)	150	150	150	150	200	200
Movement Capacity	125	125	125	125	175	158

TECHNICAL DATA:

MATERIALS:

Stainless Steel: AISI 304

Aluminum: ASTM 6063T5 Mill finish, anodisation

WARRANTY:

Meishuo warrants that its products are manufactured free of defects and conform to the technical data listed. Under this warranty, we will replace any material proven defective when applied in accordance with our written instructions for applications recommended by us as suitable for subject products. Meishuo shall not be liable for any injury, loss or damage, direct or consequential, arising out of the use of the product.